



# 1391 - MicroProx<sup>®</sup> Tag Proximity Order Form

Ensure each required option has been checked with the appropriate choice to fulfill a completed order form.  
 Completed Order Forms can be faxed to 714-532-4234 or e-mailed to sales@mobileidsolutions.com

## Customer Information

Company Name _____	Phone _____
Contact Name _____	Fax _____
Address _____	Email _____
Address _____	Web Order # _____

1391 Base Model

### Programming (Select one option)

- L - Programmed, Low Frequency (125 kHz). Specify Programming Information.
- N - Non-Programmed, Low Frequency (125 kHz). Programming Information Not Required.

### Front Packaging (Select one option)

- S - Gray with HID Standard Artwork
- G - Plain Gray Finish, (No Artwork)
- C - Custom Artwork - Specify Custom Artwork Number<sup>1</sup>

### Back Packaging<sup>3</sup>

- S - Adhesive Backing

### Tag Numbering<sup>2</sup> (Select one option)

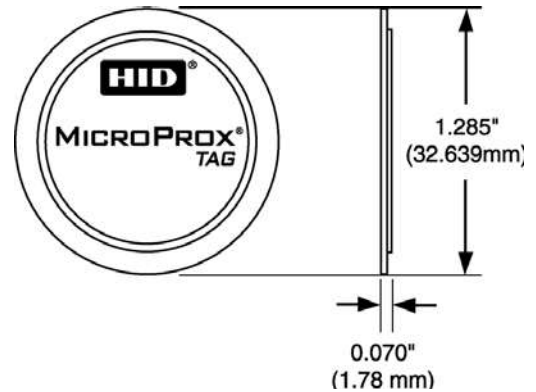
- M - Sequential Matching Encoded/Printed (Inkjetted)
- N - No Printed Tag Numbering
- S - Sequential Encoded/Sequential Non-Matching Printed (Inkjetted)
- R - Random Encoded/Non-Matching Sequential Printed (Inkjetted)

### Slot Punch

- N - None

### Optional Custom Artwork<sup>1</sup>

\_\_\_\_\_ (Specify Artwork Number - Refer to the Custom Artwork Forms for new Artwork)



Enter your final Tag options from check boxes above. Example: 1391LKSMN

<b>Final Part Number</b>	1391				S		N	-	(Optional Artwork #)
--------------------------	------	--	--	--	---	--	---	---	----------------------

## 125 kHz Tag Programming Information

Format Number \_\_\_\_\_ (example: H10301) Bit Numbers \_\_\_\_\_ (example: 26 bit) Facility Code \_\_\_\_\_  
 Encoded Card # Start \_\_\_\_\_ Stop \_\_\_\_\_ Printed Card # Start \_\_\_\_\_ Stop \_\_\_\_\_  
 HID Elite ICE Number (if applicable) - \_\_\_\_\_ (Custom Format) Site Code \_\_\_\_\_ City Code \_\_\_\_\_ OEM Code \_\_\_\_\_  
 Special Instructions: \_\_\_\_\_

<sup>1</sup> For new artwork files, contact Customer Service for custom artwork number, lead-times, minimum order quantities, and cost.  
<sup>2</sup> The Printed tag number is placed on the back of the tag.  
<sup>3</sup> The MicroProx Tag is not for use on cards that use full insertion or tractor feed type readers.  
 Do not adhere to metal surfaces. Metal shields the RF, making the tag inoperable. Due to variations in cards and reading devices, HID does not claim that the MicroProx Tag will work in every situation. Functional and non-functional MicroProx Tags are available for compatibility testing with existing credential and reader technologies. Compatibility should be confirmed prior to ordering.

### MicroProx Placement

