



HID Global  
6533 Flying Cloud Drive  
Minneapolis, MN 55344 USA

## Contact Chip Smart Card Overlamine Ordering Guide

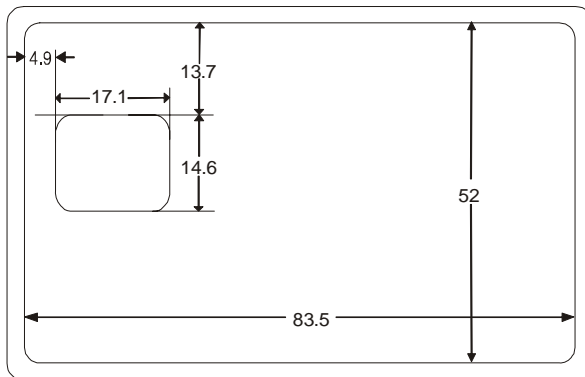
For customers using contact chip smart cards, HID offers Fargo HDP5000 PolyGuard Overlamine with chip cut-outs.

Because there is no industry standard for the finished size of the contact chip on the card, HID makes the overlamine patch available with either a small or large sized cut-out. The part number is 82612 for smaller chips and 82655 for larger chips.

Please refer to the diagrams below to choose the appropriate patch. All dimensions are in millimeters (mm).

### Standard smart chip cut-out dimensions

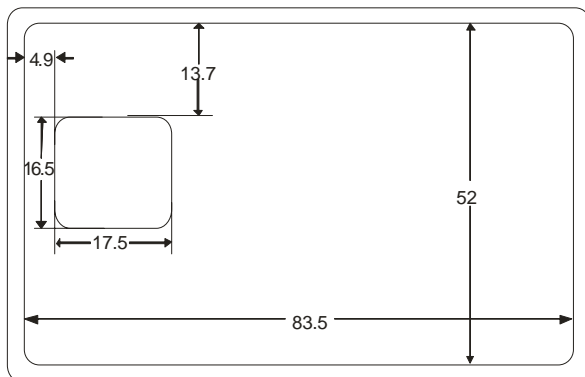
Part Number – 82612



### Large smart chip cut-out dimensions

*(Recommended for use with HID Crescendo Cards)*

Part Number – 82655



Phone/ 952.941.9470  
Fax/ 952.941.7836  
Web/ [www.hidglobal.com/fargo](http://www.hidglobal.com/fargo)

An ASSA ABLOY Group brand

ASSA ABLOY